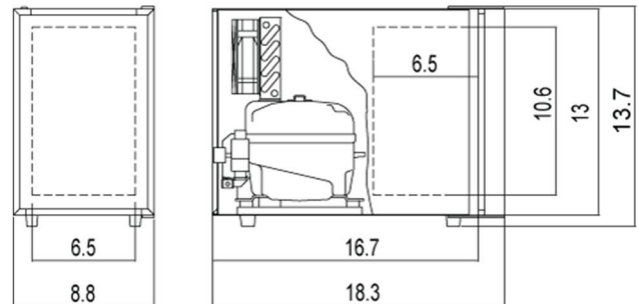




FG10 Features

- Holds one gallon container of milk (milk jug).
- Rear front loading refrigerators with compressor based cooling units.
- Locking door with magnetic seal to prevent accidental opening or tampering.
- On/Off power switch and thermostat knob located on rear of unit.
- Tube holes located at top and both sides for convenience and protection.
- Internal thermometer, two keys, tube hole plugs included.
- Black finish with polished steel door.
- Three tube holes.
- Tube holes are 11.5" high on each side.



Technical Data

- Dimensions: 14H x 9W x 19D
- Weight: 25 lbs.
- Volume: 0.3 cu ft
- NSF and UL certified
- 3-year limited warranty
- Power: 110-120V, 50-60 Hz