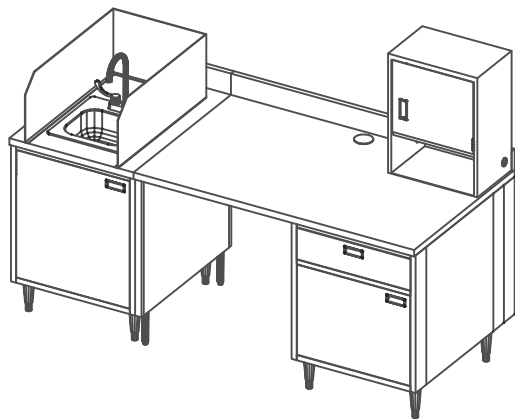
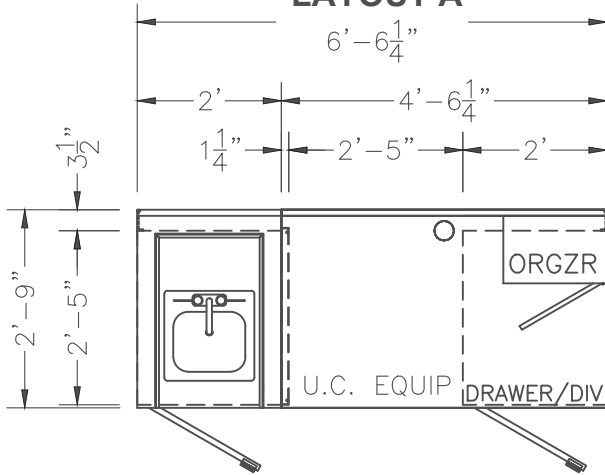


BACK BAR W/ 2' STAND ALONE SINK OPTIONS

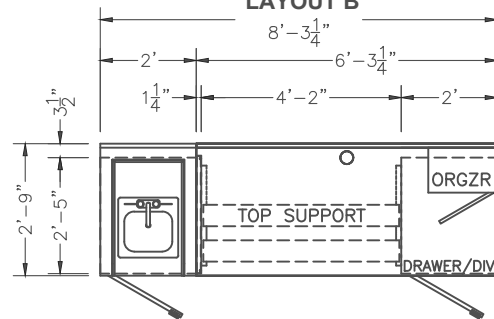
LAYOUT A



OVERALL BACK BAR WIDTH SIZES AVAILABLE

LAYOUT	OVL W/UNOX	WIDTH	DEPTH	U.C. EQUIP
A	9'-5.25"	6'-6.25"	33"	TUC27-LP-HC
B	11'-2.25"	8'-3.25"	33"	TUC48-LP-HC
C	12'-2.25"	9'-3.25"	33"	TUC60-LP-HC

LAYOUT B



LAYOUT C

